

(0)  
**C & C 30 MK II**

**Building the Galley Shelf**

1. This package contains instruction and sketches.
2. Woodworking skills and equipment are essential to making the pieces and assembling the shelf.
3. Good luck, and take your time making this very useful addition to the galley. You can e-mail me if you have a problem or need advice.

**Have Fun!**

**Equipment**

1. Table saw with carbide blade.
2. Drill press with drill bits for pilot holes and # 6 screws.
3. Combination drill bit and countersink for # 6 screws.
3. Plug cutter for #6 screws
4. Router and cutter bits.
5. Drill Press sanding disks.
6. Assortment of clamps or equivalent.
7. 3/8" Power Drill & bits (to drive screws).
8. Flat workbench with vise

Ed Ludwik  
94 O'Connor Crescent  
Richmond Hill, Ontario, Canada L4C 7N8  
(905) 737-2093  
theludwiks@gta.igs.net

(2)  
C & C 30 MK II -- Galley Shelf

Assembly Instructions

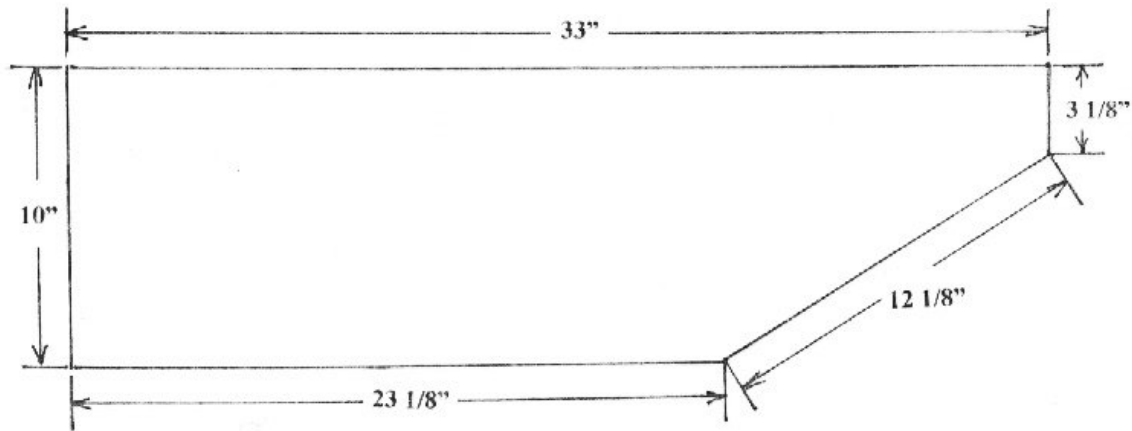
1. All screws should be hidden with plugs. Use a drill press and a combo drill and counter sink to make the holes in the fiddles.
2. Assemble the 33" fiddle first being careful to miter a 45 degree angle at the support end. Screw locations 1<sup>st</sup> screw 2" from the cabin end and 6 more at a pitch of 4 ½".
3. Assemble the 23 1/8" fiddle next. Again be more careful to get the correct miter at the angled junction. The screw locations are the same, except 5 only will be drilled and installed.
4. Check the angle teak strip just below the galley windows. It is not vertical so the shelf pickup at this end has to be slanted. Mine is 82 degrees from the vertical. The shelf end has to be trimmed to this angle (shelf and fiddles). Use a table saw to do this.
5. Trim the 10" fiddle to fit between the other 2. Install 4 screws through the shelf into the fiddle and a screw through the 33" and 23 1/8" fiddles into the cabin end fiddle. This will ensure a solid connection.
6. Install the 12 1/8" fiddle, 2" from either end and 1 in the middle (3 screws). Install the 3 1/8" fiddle with 2 screws.
7. Install the teak plugs and sand smooth. Round the top edges of the fiddles with a router or by sanding.
8. End Support It is prudent to make the end support longer than the length of 17 ¾" and trim it to the correct length by supporting the shelf in a horizontal position. The "pole" location is 2" from the inside edge of the 3 1/8" fiddle and 1 ¼" from the inside edge of the 33" fiddle. These measurements are to the pole (Not to the center). Turn the shelf upside down and locate the two holes per #4 on page(1). Drill 2 holes (use a block underneath to prevent splintering). Secure the pole to the shelf. Use epoxy glue and install 2 screws and plugs.
9. Oil the unit with several coats. Attach to the teak strip with 2 screws and to sink fiddle with 1 screw with cap.

**Congratulations and Enjoy!**

(3)  
C & C 30 MK II -- Galley Shelf

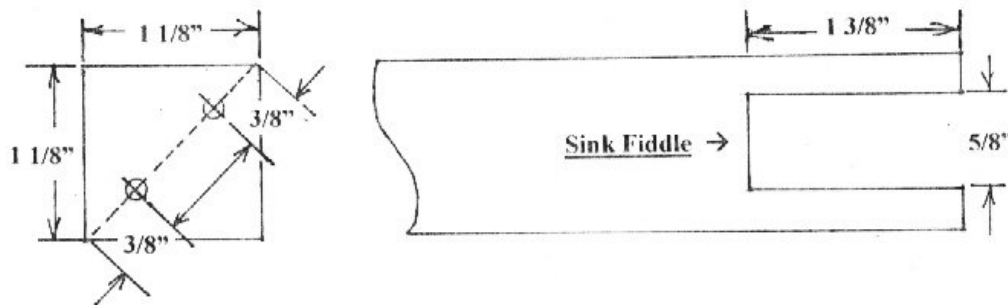
Teak Bill of Material

1. Shelf 1/2" thick x 10" wide x 33" long". Built up of solid teak or teak plywood veneer.



2. Fiddles 3/8" wide x 1 1/2" high. Cut fiddle lengths at least 1" longer than the required length on the shelf

4. End Support 1 1/8" square x 17 1/4" long



5. Hardware # 6 SS screws x 1"  
 Teak Plugs  
 Brown caps  
 Epoxy glue